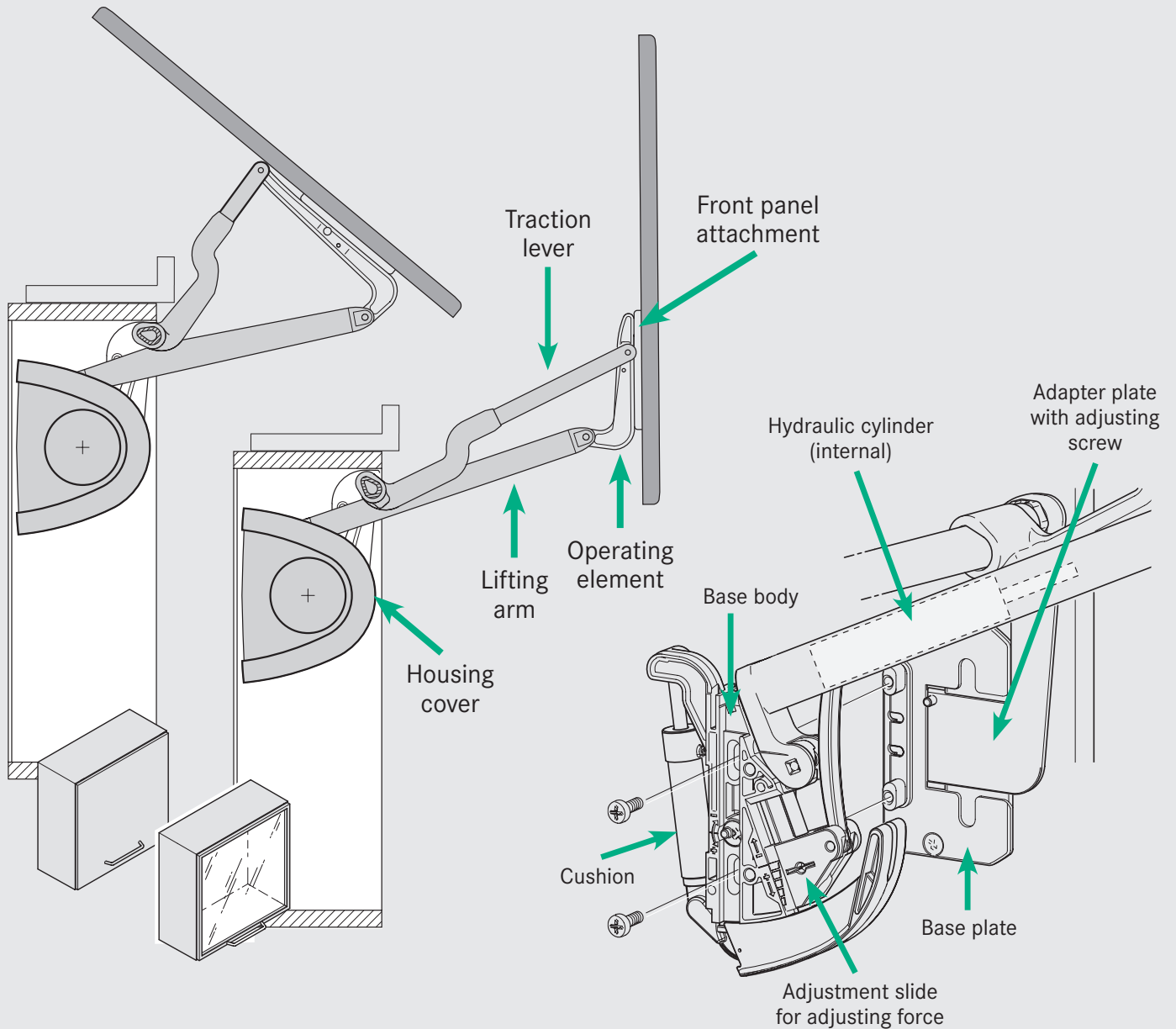


# HANDLING INFORMATION

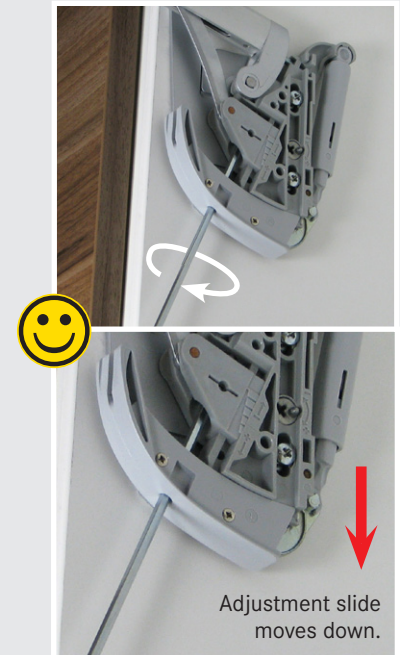
## Verso + Strato Wall Unit



Problem	Possible cause	Possible solution (summary)	Detailed advice
1. Unit panel does not stay in position.	Spring force too low.	Increase/adjust spring force.	1.1
2. Unit panel opens too quickly and springs upwards.	Spring force too high.	Reduce spring force.	2.1
3. Unit door is not aligned when closed.	Adapter plate setting not appropriate for traction lever.	Adjusting screws need to be adjusted.	3.1

### 1. Unit panel does not stay in position

#### 1.1 Spring force too low



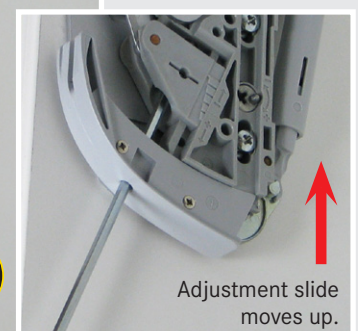
**Do not use a cordless screwdriver!**

Remove the housing cover. Using a hexagon key (4 mm), increase the force by turning the key anticlockwise (the adjustment slide moves down). This adjustment procedure must be performed on both lifting arms.

### 2. Unit panel opens too quickly and springs upwards

#### 2.1 Spring force too high

Remove the housing cover. Using a hexagon key (4 mm), reduce the force by turning the key clockwise (the adjustment slide moves up). This adjustment procedure must be performed on both lifting arms.

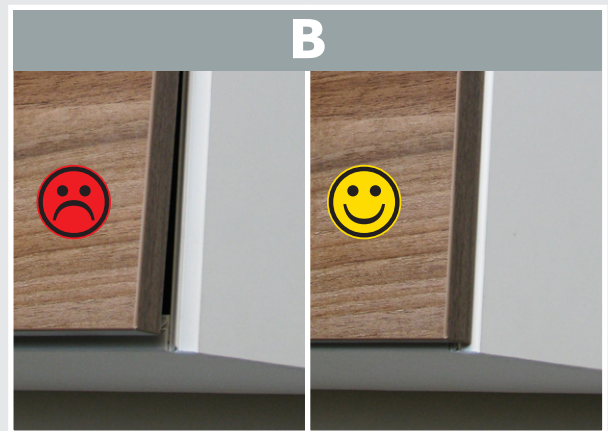
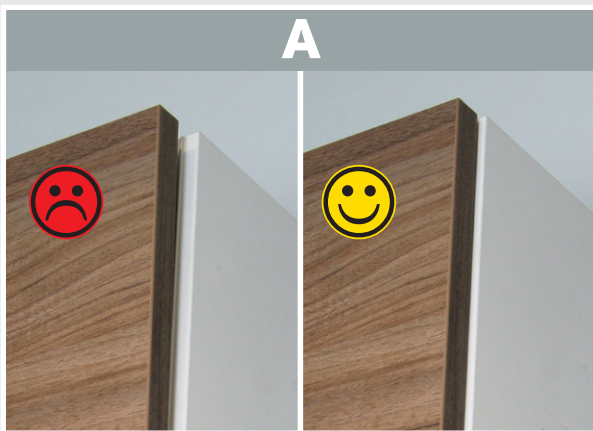


**Do not use a cordless screwdriver!**

### 3. Unit door is not aligned when closed

#### 3.1 The adjusting screw of the adapter plate has not been set correctly

Once the furniture has been installed (or adjustment work has been performed on the front panels), the front panels may not close cleanly. This could result in the front panels protruding at an angle as shown in figures **A** and **B**.



**1** Insert a hexagon key (max. 4 mm) in the adjusting screw. Adjust the adjusting screws on the left-hand and right-hand fittings to improve the closing action.

The protrusion issue in figure **A** can be corrected by means of an upwards adjustment and the protrusion issue in figure **B** by means of a downwards adjustment.

