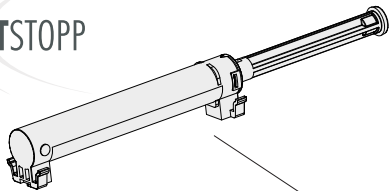


# DISPENSA VVS-x

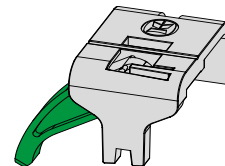
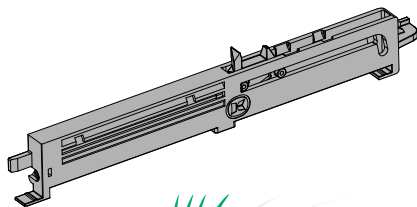
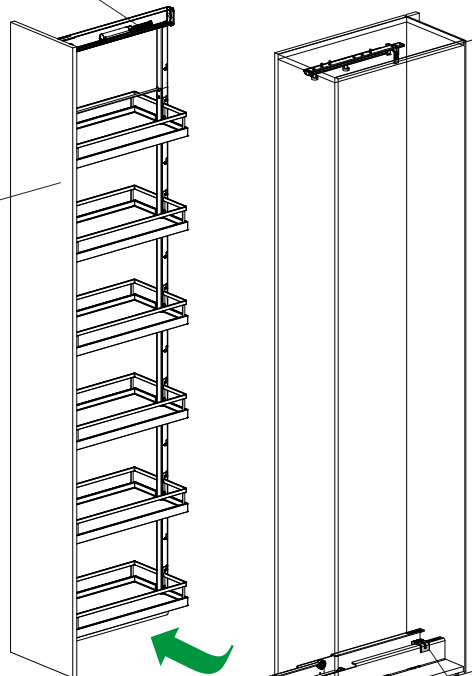
Closing damper system Softstopp & synchronatic



KESSEBÖHMER



<https://kbgo.to/402053>



SL5



<http://support.kesseboehmer.de>

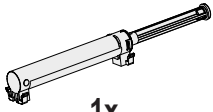


# DISPENSA VVS-x

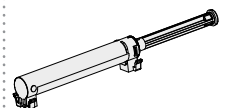
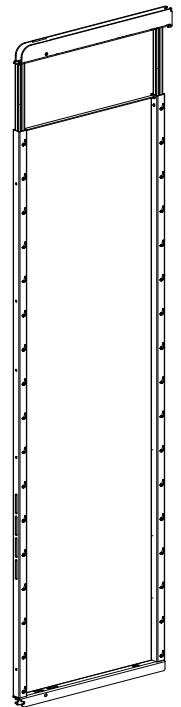
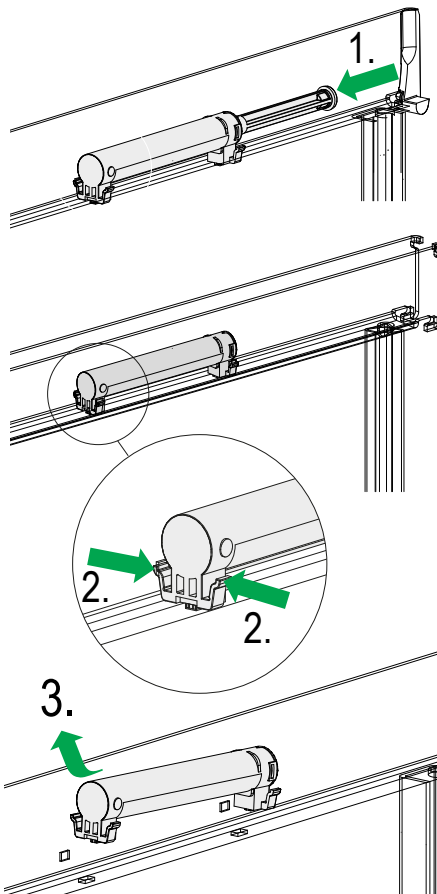
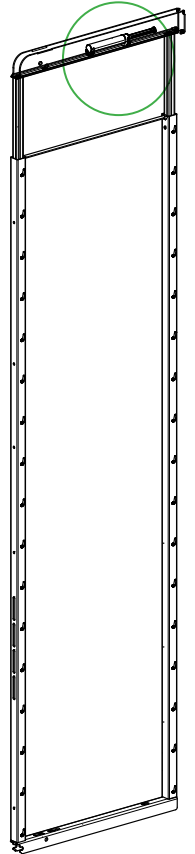
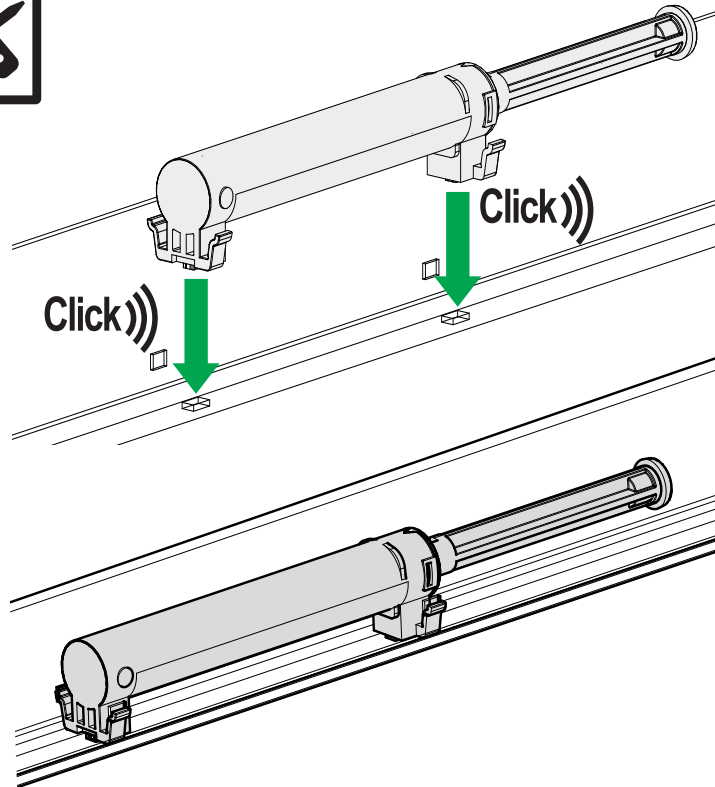
Closing damper system Softstopp & synchronomatic



1



1x

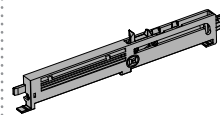
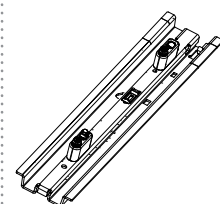
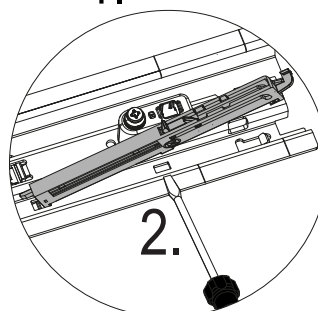
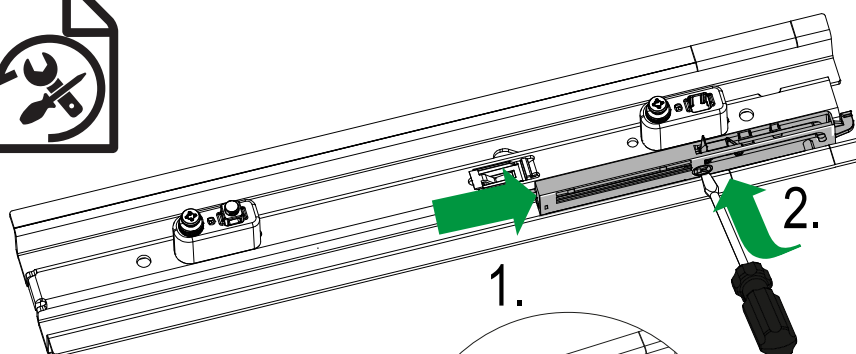
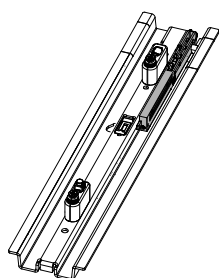
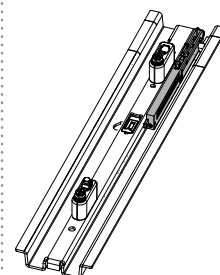
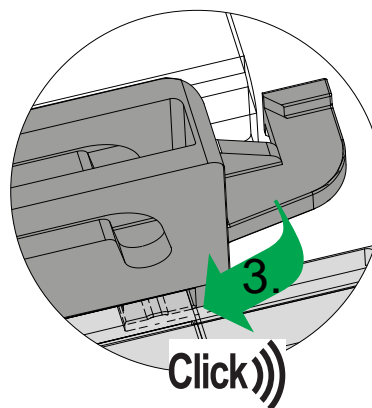
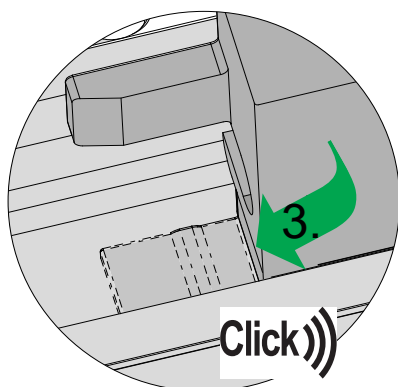
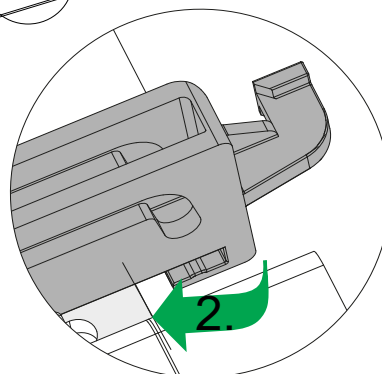
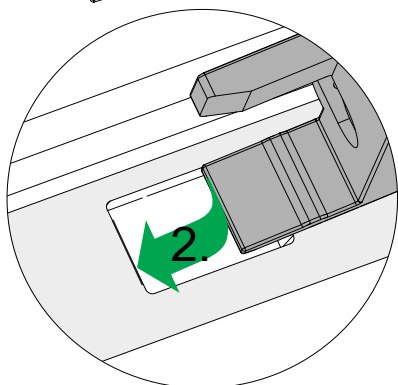
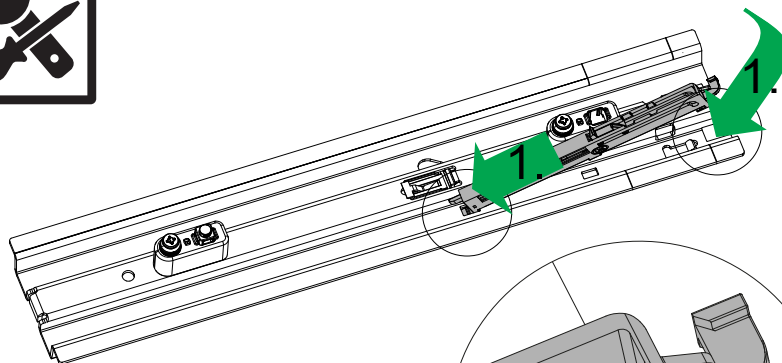
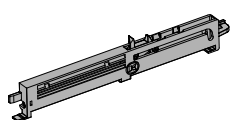
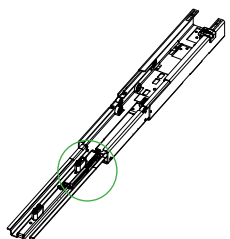


# DISPENSA VVS-x

Closing damper system Softstopp & synchronomatic



2

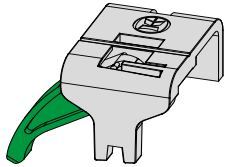
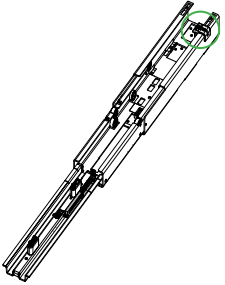


# DISPENSA VVS-x

Closing damper system Softstopp & synchronomatic

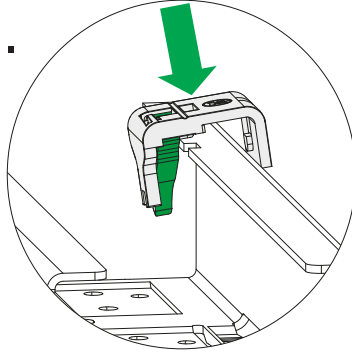


3

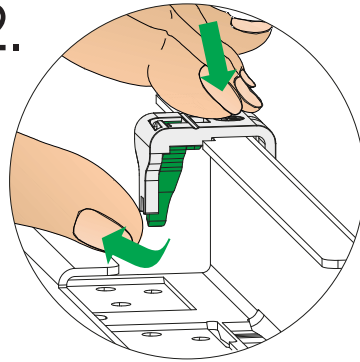


Synchronomatic

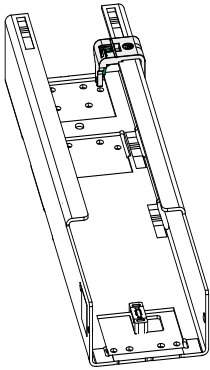
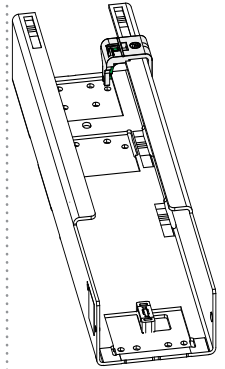
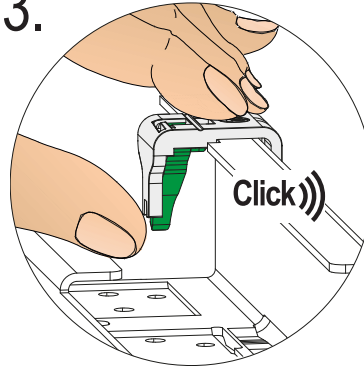
1.



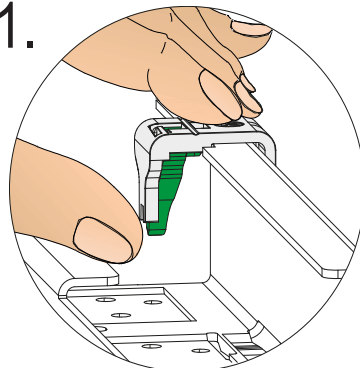
2.



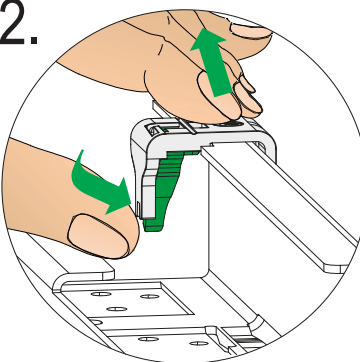
3.



1.



2.



3.

