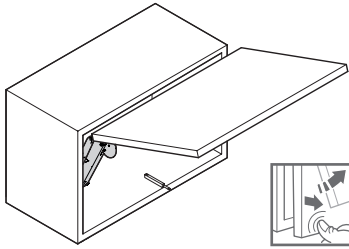
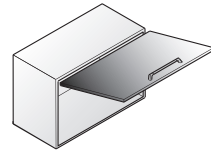


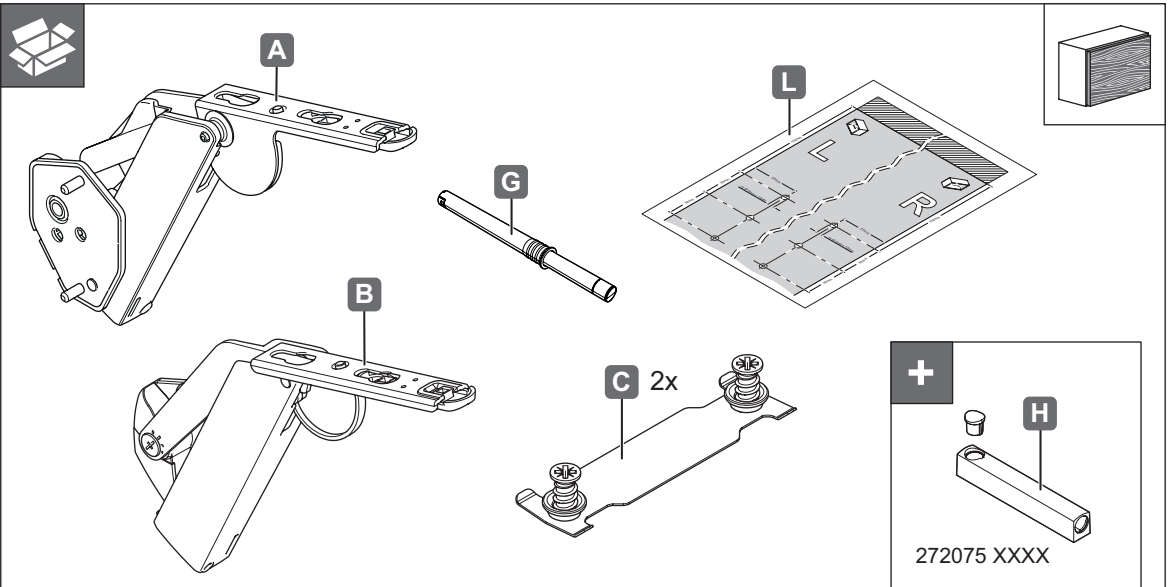


## FREEspace forte pto

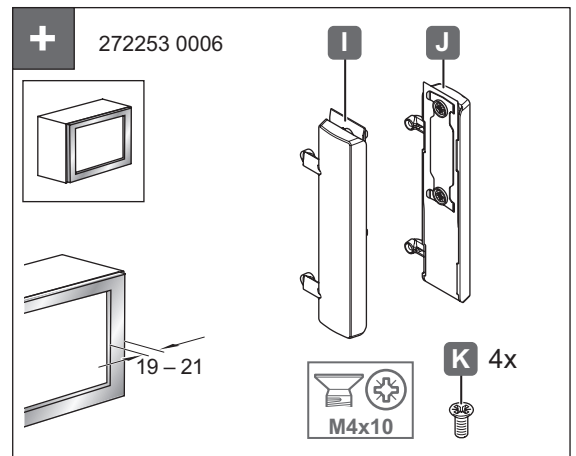
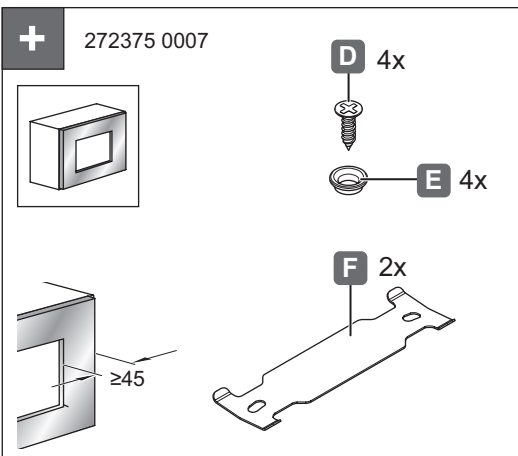


<http://support.kesseboehmer.de/freespace>

4062310000

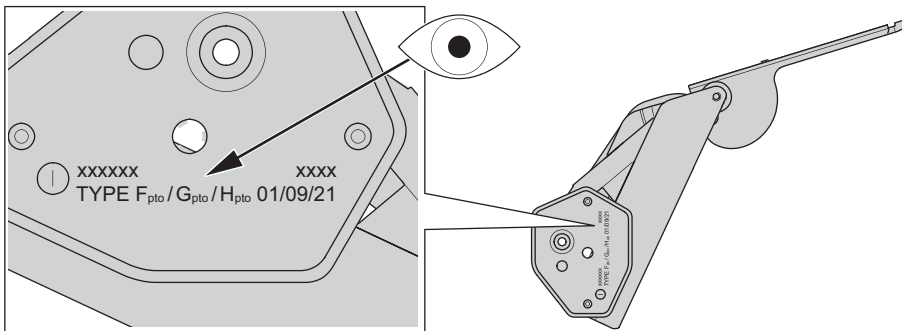


113796



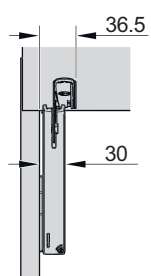
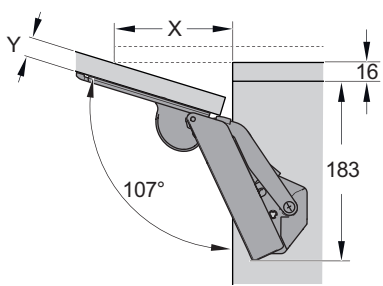
i

mm

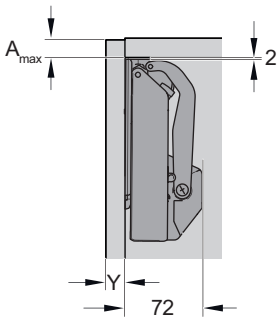


<b>FREEspace forte F pto</b>	272247 9966	272247 7035	272247 7500	272247 9005
<b>FREEspace forte G pto</b>	272248 9966	272248 7035	272248 7500	272248 9005
<b>FREEspace forte H pto</b>	272249 9966	272249 7035	272249 7500	272249 9005

Y	X
16	117
18	110
19	107
22	96
24	90
26	83
28	76



Y	A <sub>max.</sub> : 107°	A <sub>max.</sub> : 90°
16	22	33
18	21,5	
19	21	
22	20,5	
24	20	
26	19	
28	18,5	

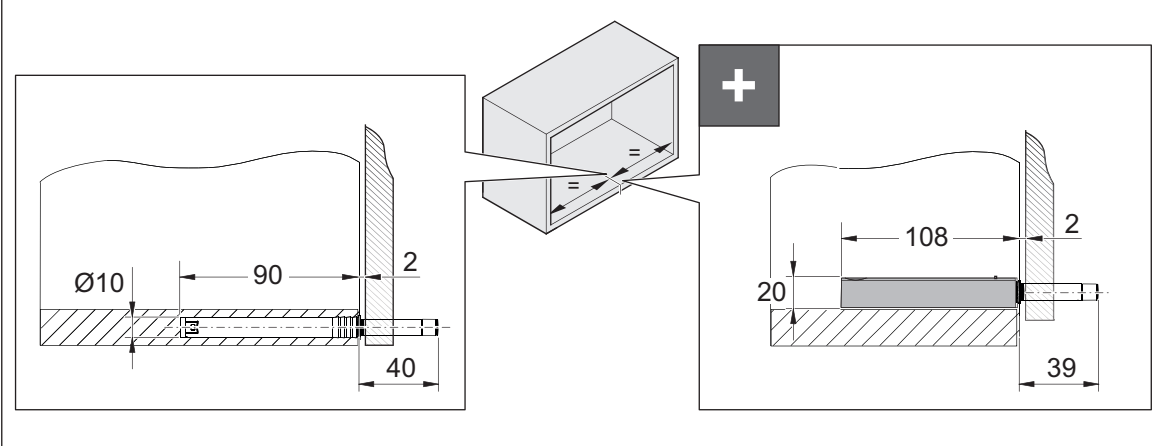


4062310000

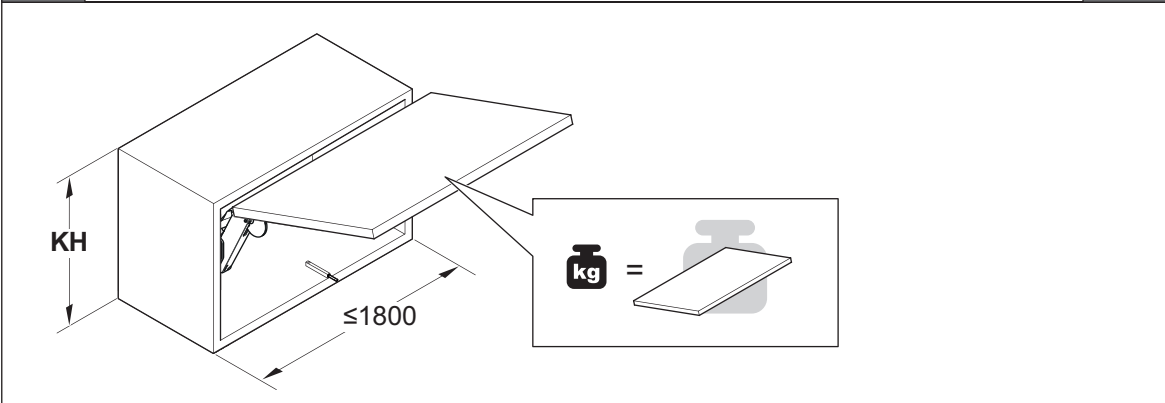
113796

11.06.2024

**i** mm



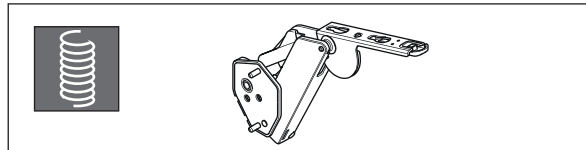
**i** mm



4062310000

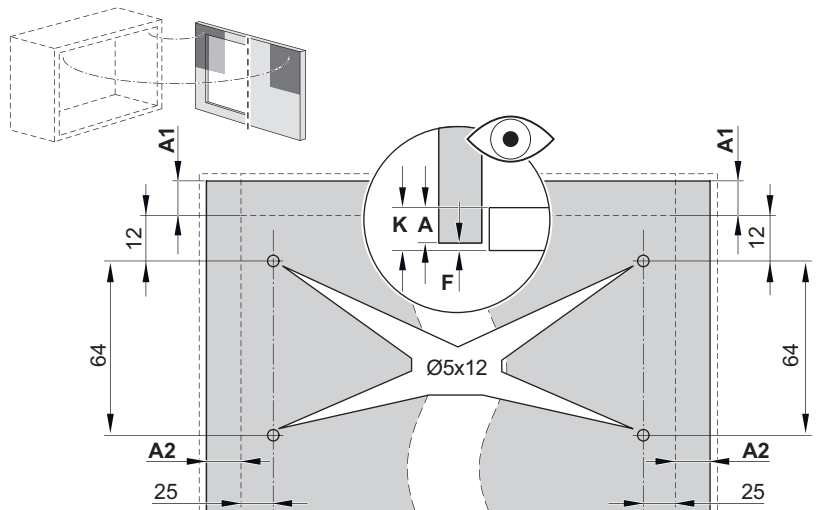
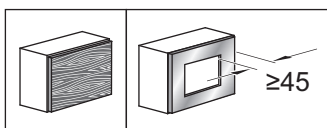
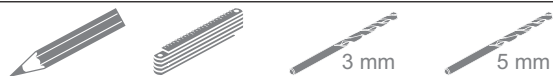
113796

11.06.2024



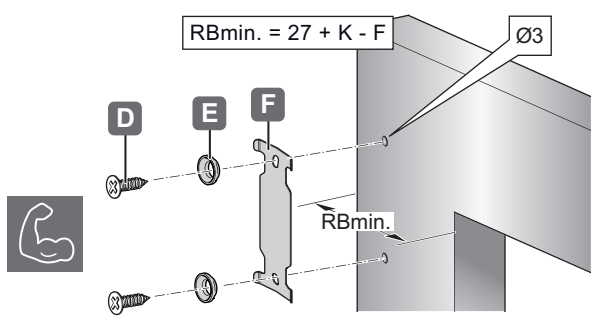
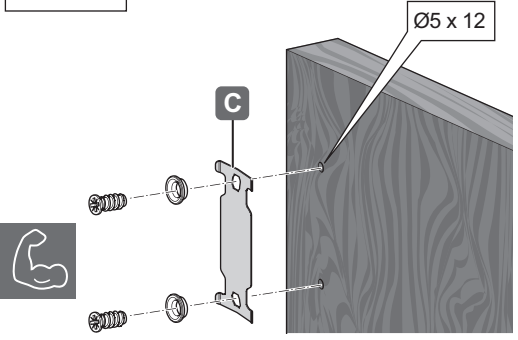
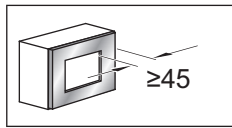
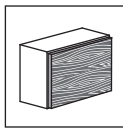
PF* = KH x * Power Factor	F pto	G pto	H pto
	PF ≈ 3040 - 4305	PF ≈ 4080 - 6600	PF ≈ 6300 - 9000
KH	F pto	G pto	H pto
350	8.7 – 12.3	11.7 – 18.9	18.0 – 25.7
375	8.1 – 11.5	10.9 – 17.6	16.8 – 24.0
400	7.6 – 10.8	10.2 – 16.5	15.8 – 22.5
425	7.2 – 10.1	9.6 – 15.5	14.8 – 21.2
450	6.8 – 9.6	9.1 – 14.7	14.0 – 20.0
475	6.4 – 9.1	8.6 – 13.9	13.3 – 18.9
500	6.1 – 8.6	8.2 – 13.2	12.6 – 18.0
525	5.8 – 8.2	7.8 – 12.6	12.0 – 17.1
550	5.5 – 7.8	7.4 – 12.0	11.5 – 16.4
575	5.3 – 7.5	7.1 – 11.5	11.0 – 15.7
600	5.1 – 7.2	6.8 – 11.0	10.5 – 15.0
625	4.9 – 6.9	6.5 – 10.6	10.1 – 14.4
650	4.7 – 6.6	6.3 – 10.2	9.7 – 13.8

1A



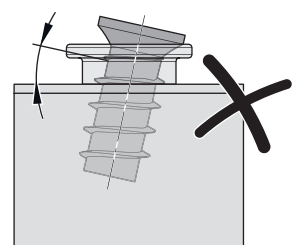
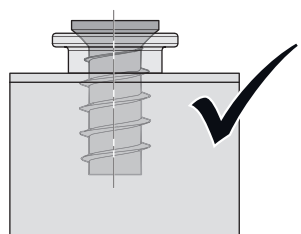
4062310000

2A



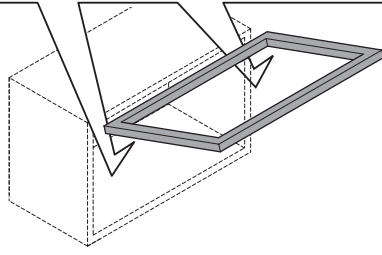
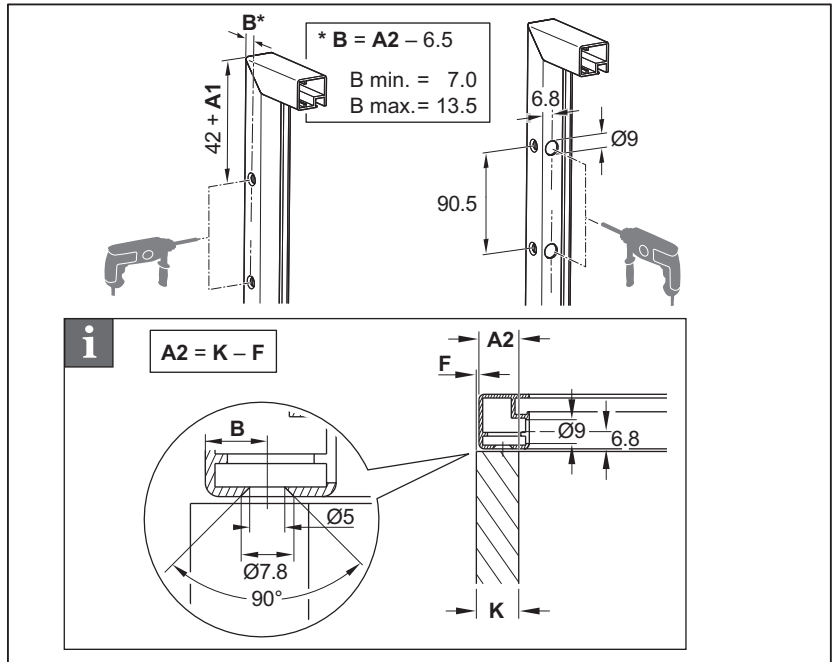
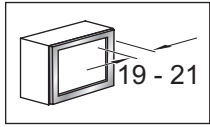
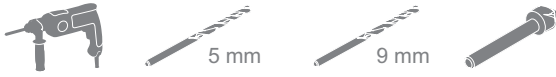
113796

i



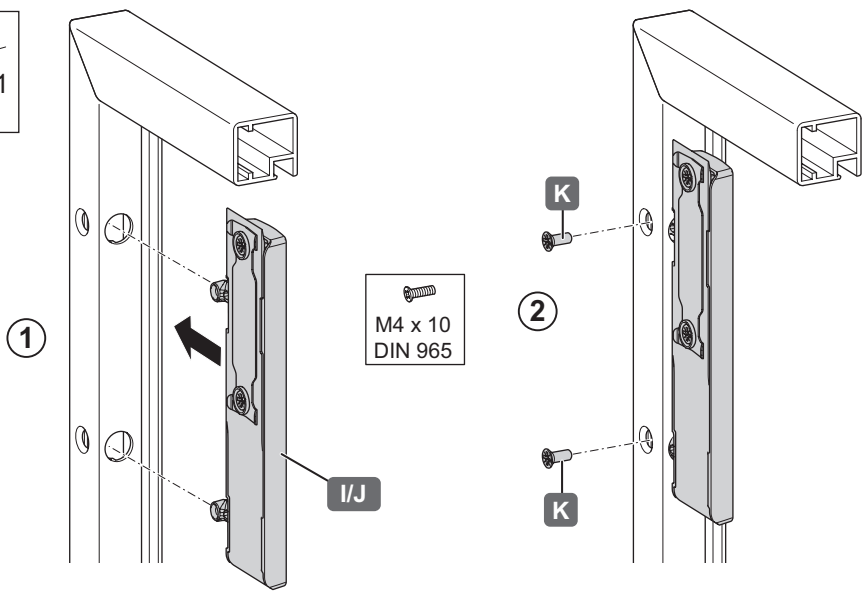
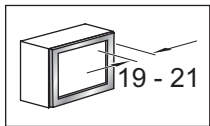
11.06.2024

**1B**



4062310000

**2B**



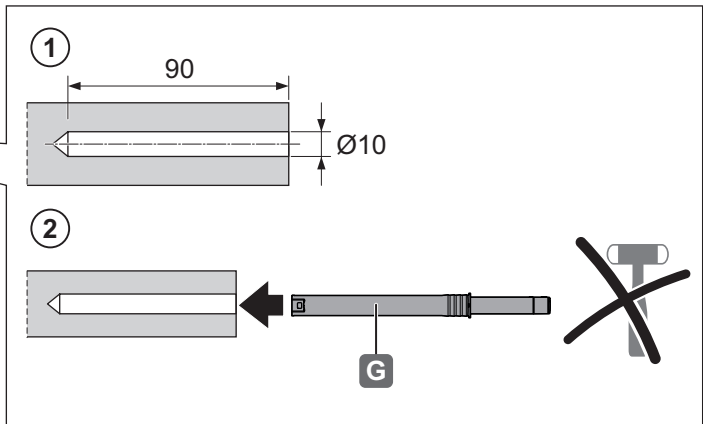
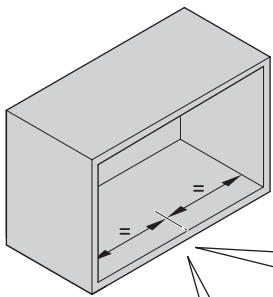
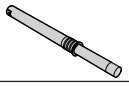
113796

11.06.2024

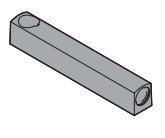
3



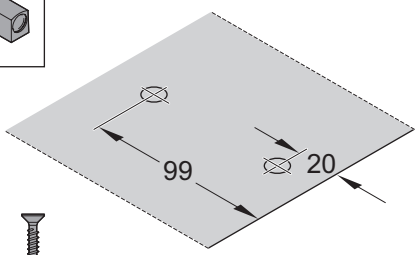
„mm“



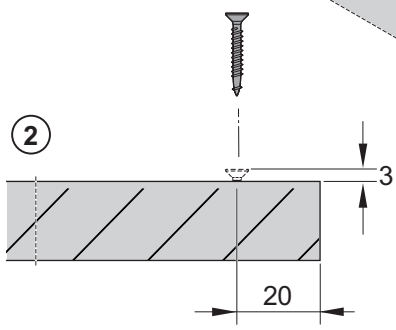
+



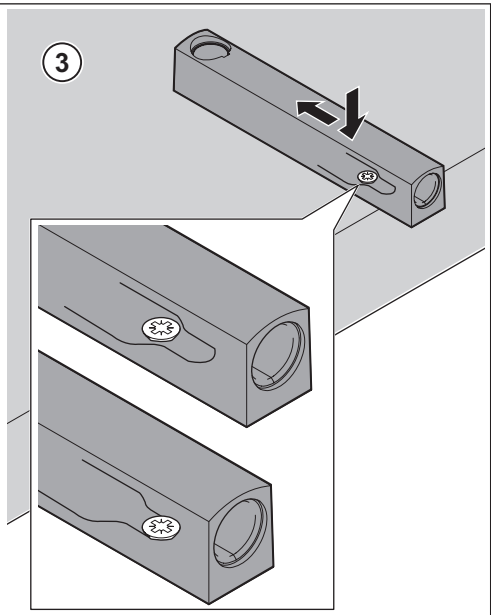
1



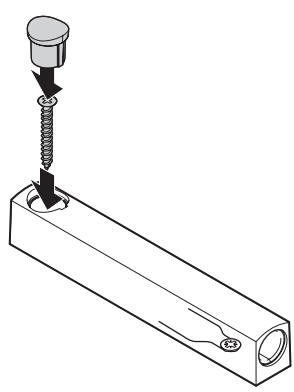
2



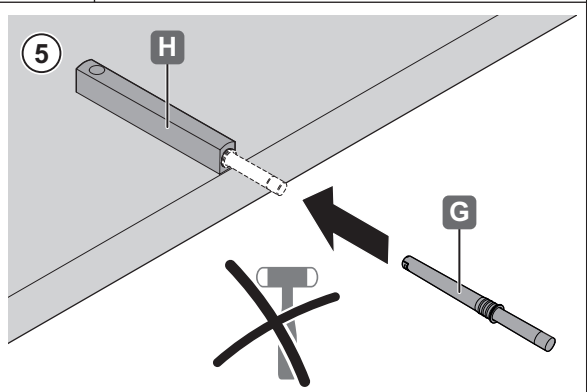
3



4



5



4062310000

113796

11.06.2024

4

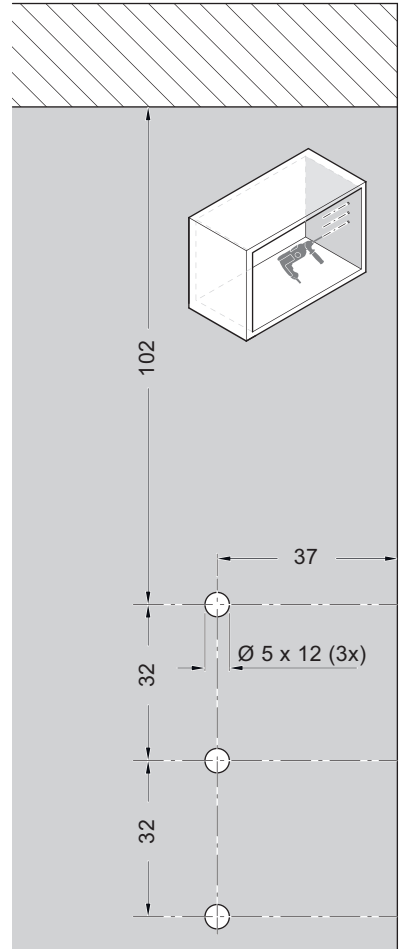
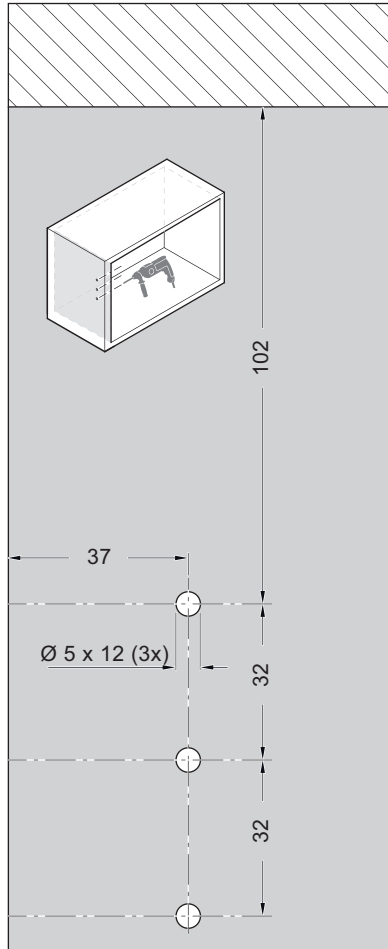


**i**

**L**

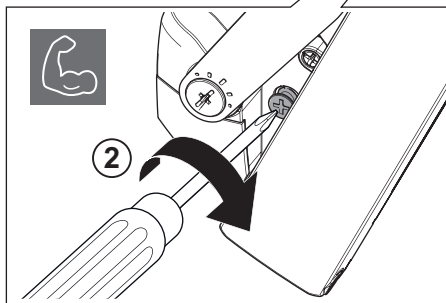
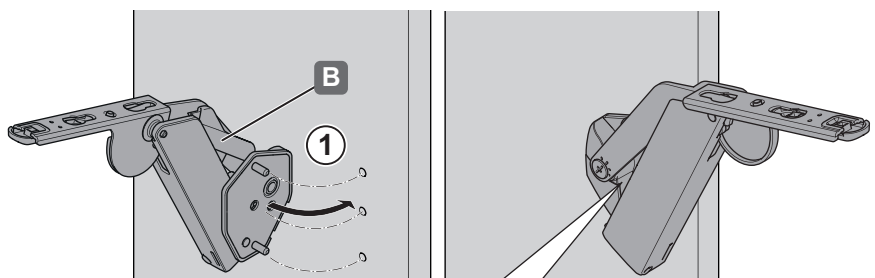
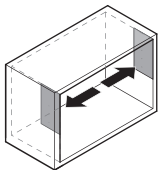
**12**

**1:1**



4062310000

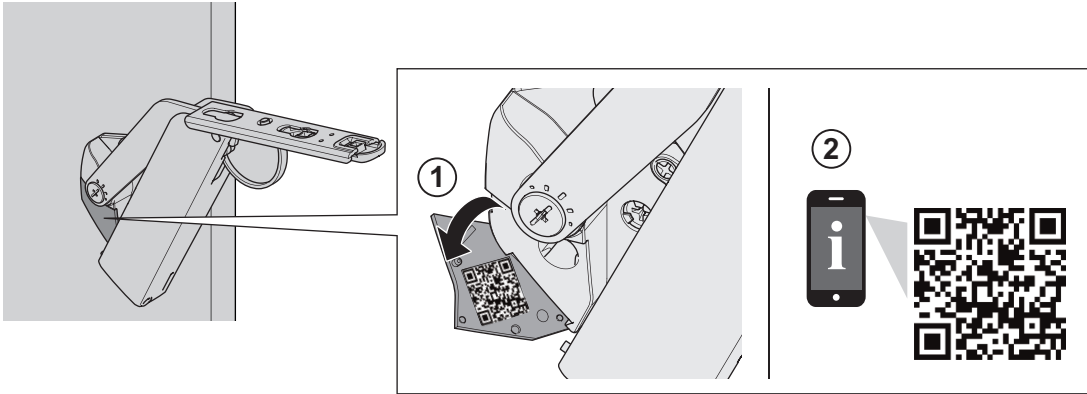
5



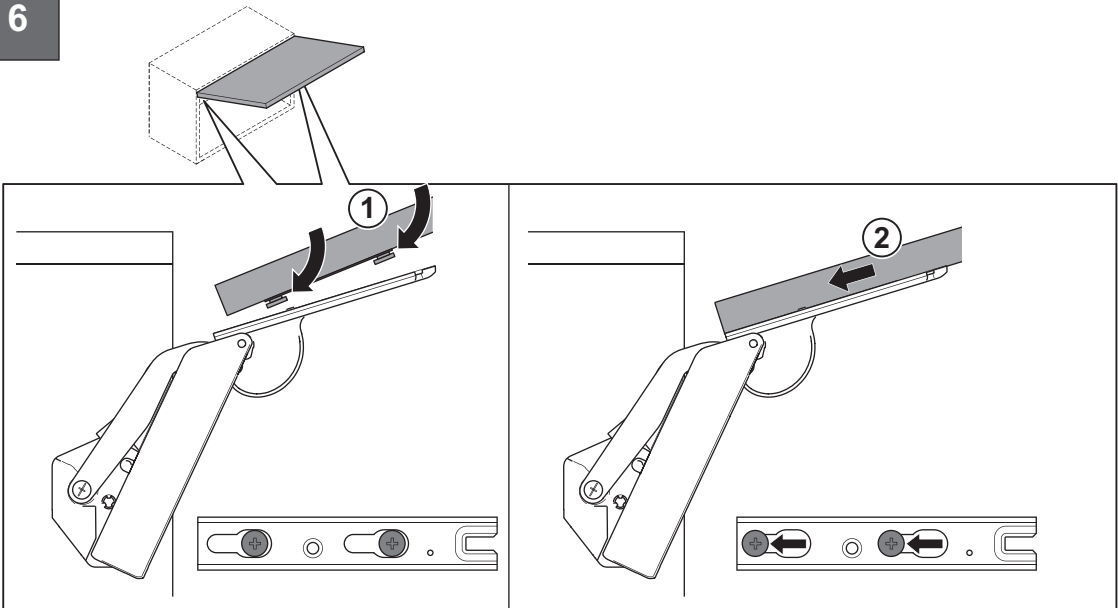
113796

11.06.2024

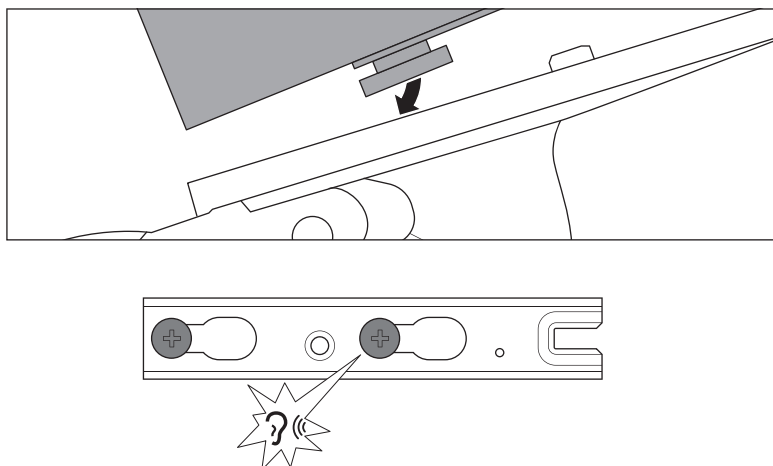
i



6



i

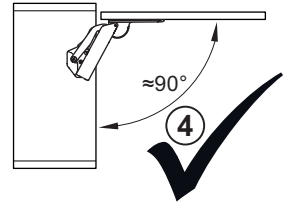
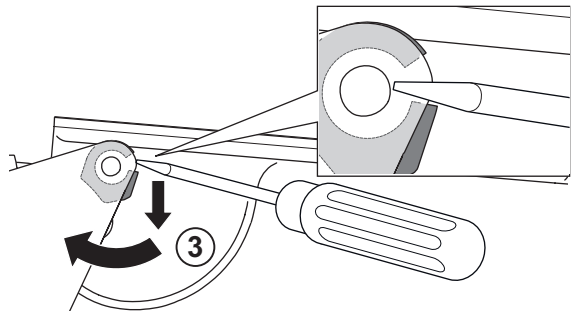
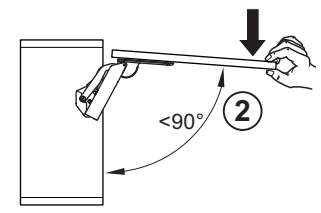
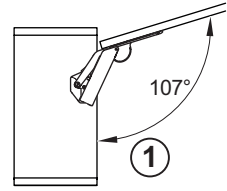
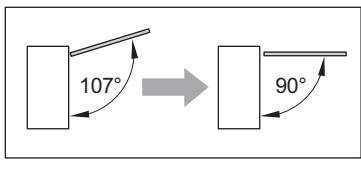


4062310000

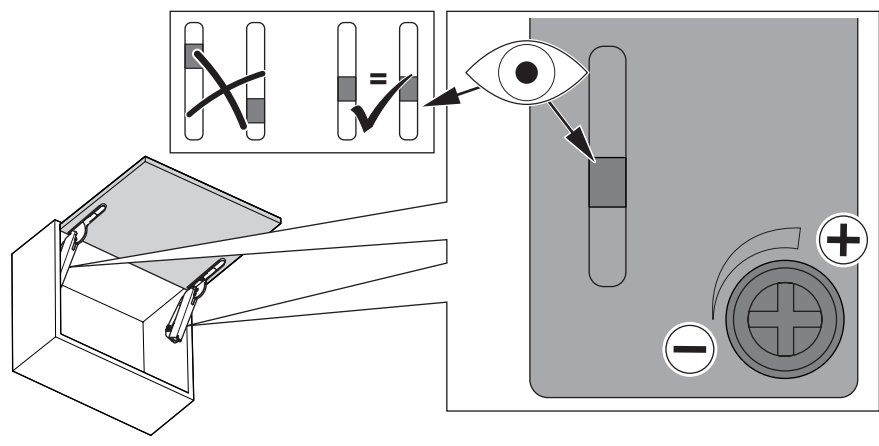
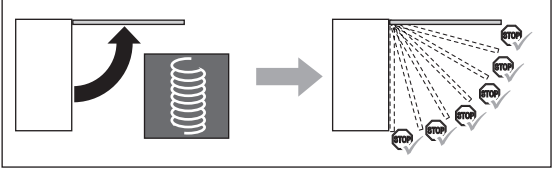
113796

11.06.2024





4062310000

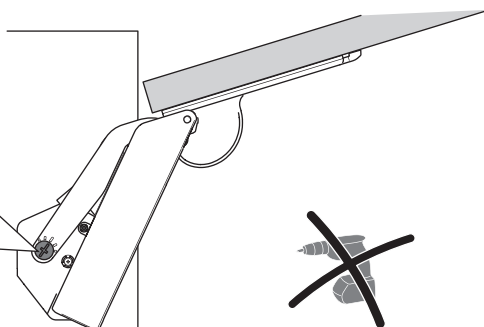
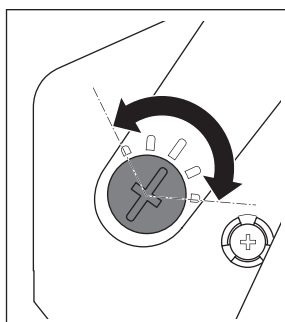
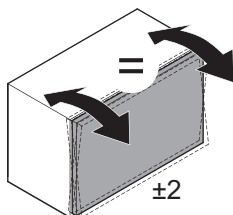
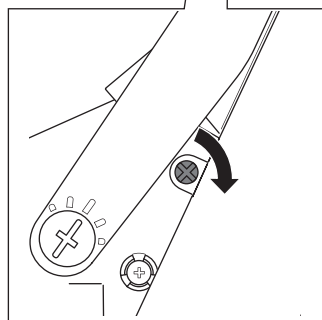
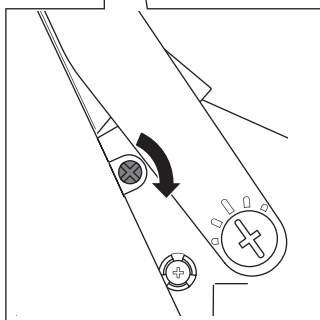
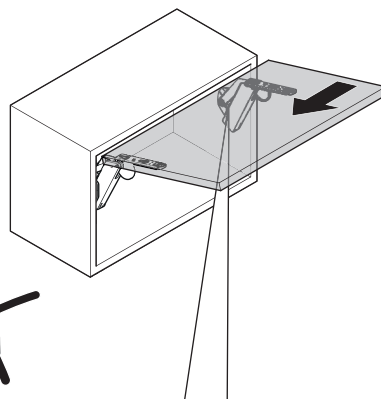
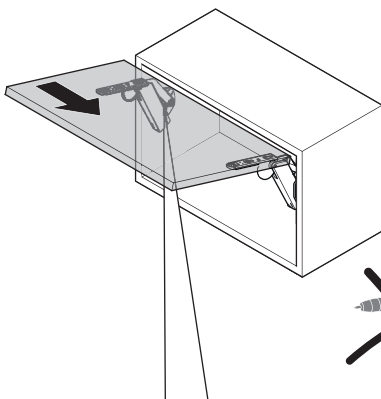
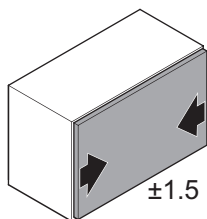
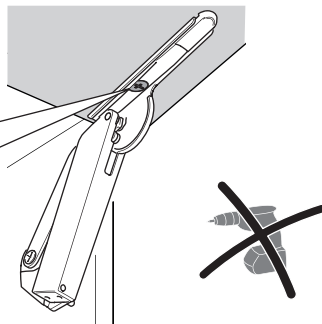
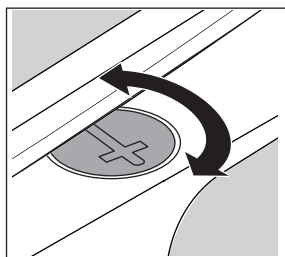
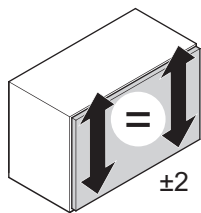


113796

11.06.2024



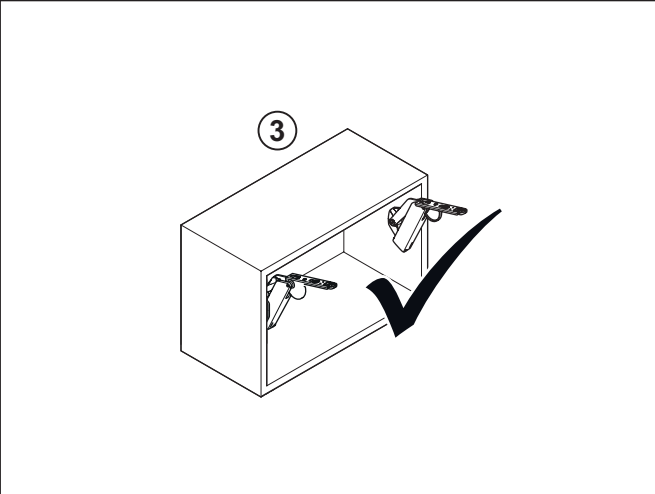
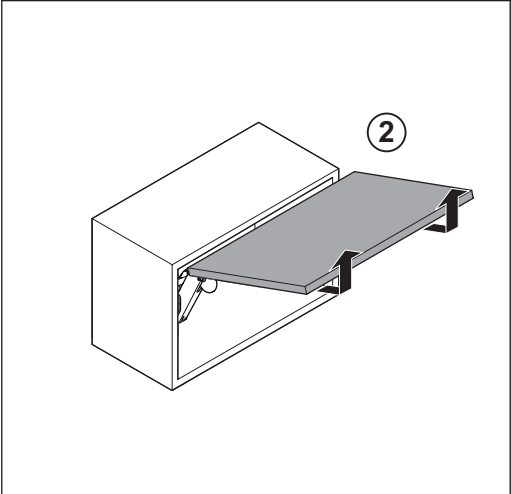
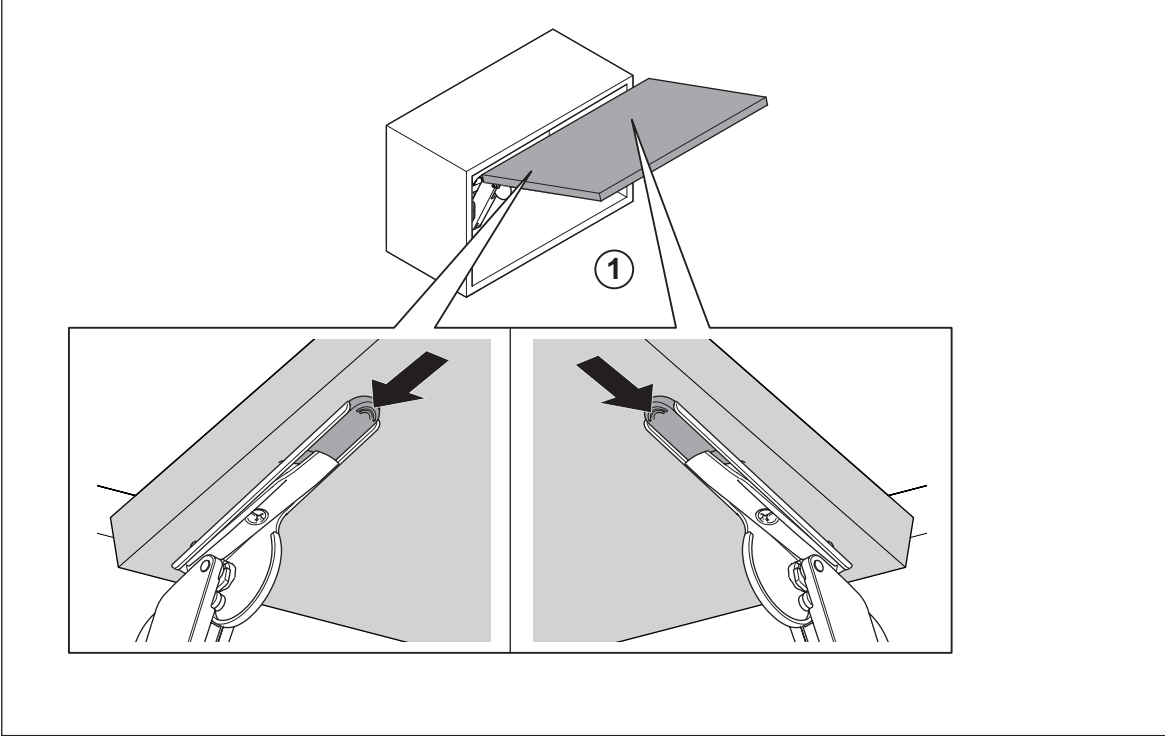
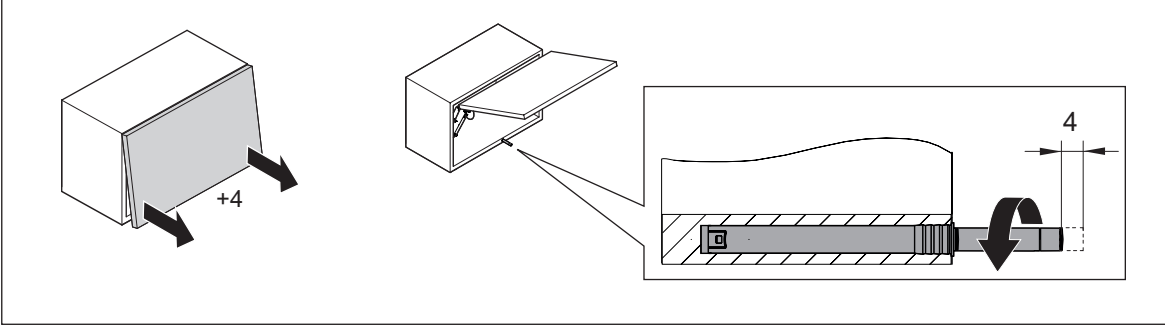
PZ 2



4062310000

113796

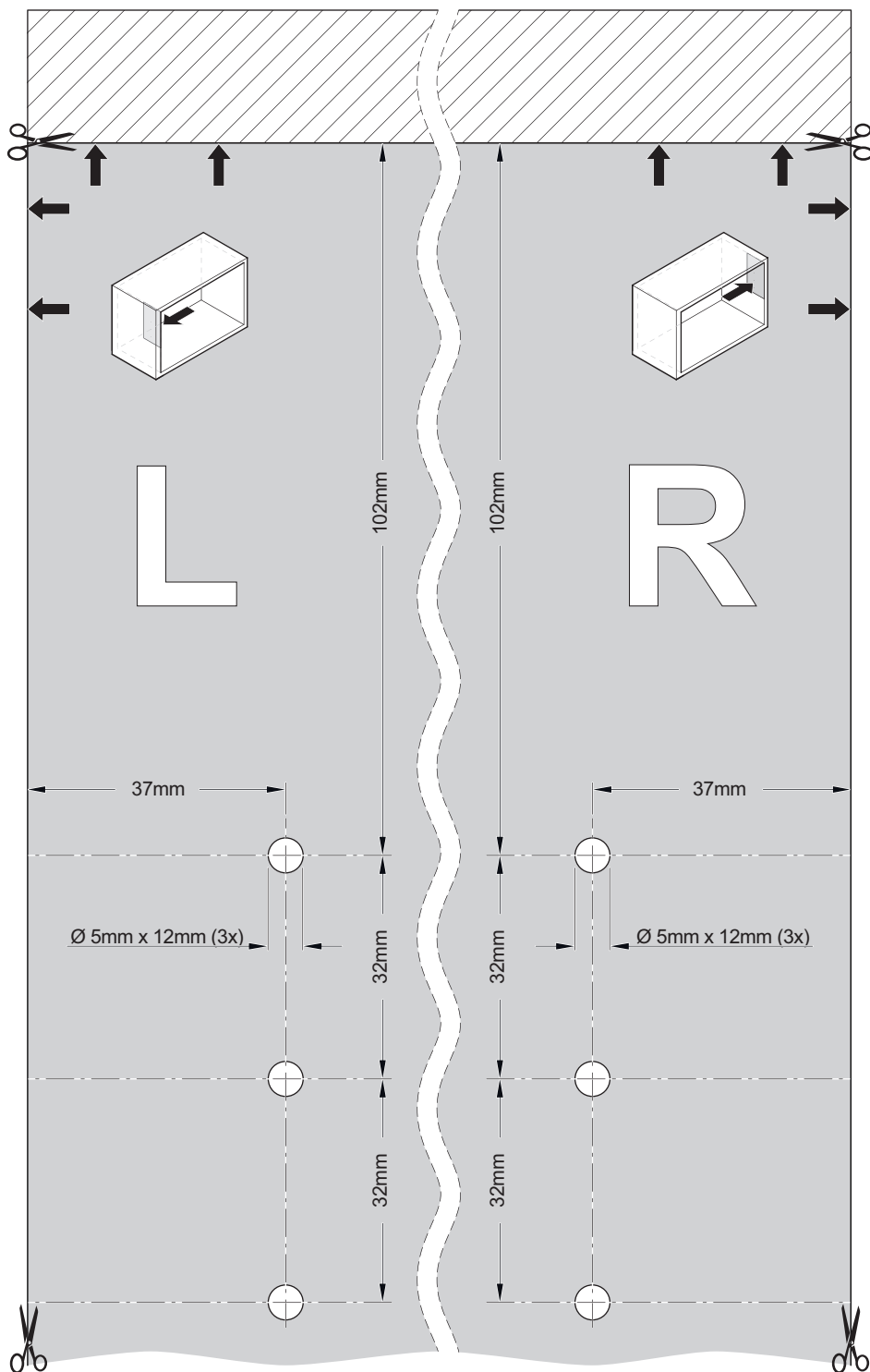
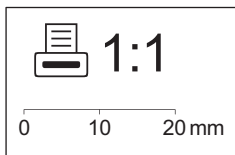
11.06.2024



4062310000

113796

11.06.2024



4062310000

113796

11.06.2024